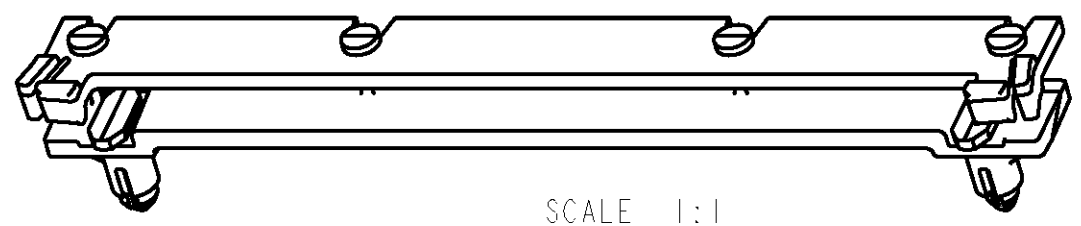
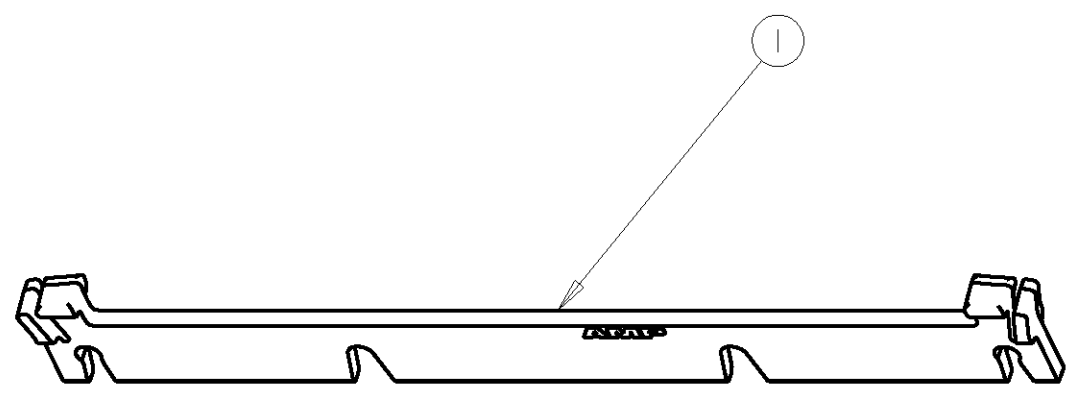
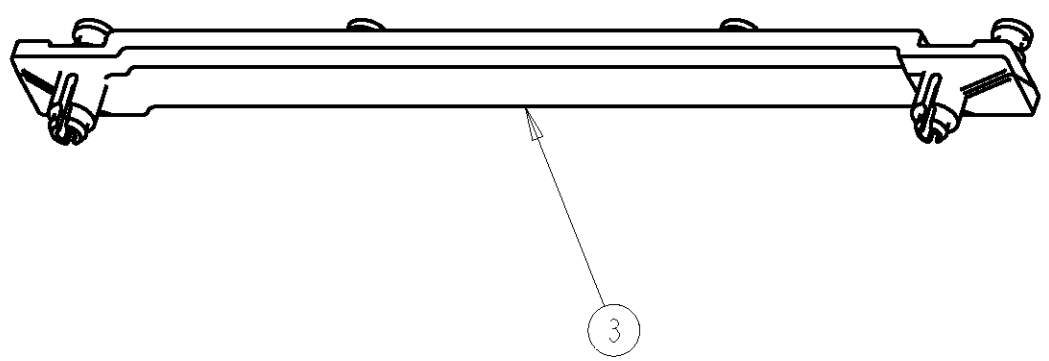
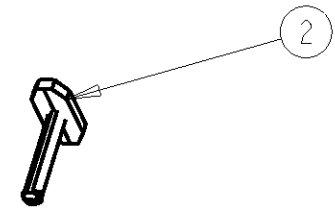
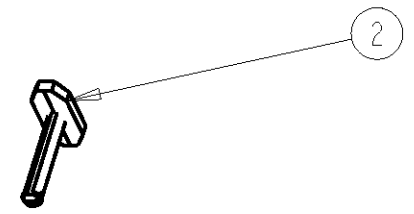


THIS DRAWING IS UNPUBLISHED. RELEASED FOR PUBLICATION .19 .
 © COPYRIGHT 19 BY AMP INCORPORATED. ALL RIGHTS RESERVED.

LOC	DIST	REVISIONS			
P	LTR	DESCRIPTION	DATE	DWN	APVD
AD	12	0	RELEASED	29OCT97	MKI JS
		A	REVISED PER OG51-0067-98	26JUN98	RB AV



SCALE 1:1



- 1 MATERIAL: ALL PARTS; POLYCARBONATE, COLOR; BLACK.
- 2. DESIGN PER INTEL SPECIFICATIONS 668237, 668240 AND 668241.
- 3. ALL PARTS SHIPPED LOOSE PIECE IN SINGLE CONTAINER.
- 4. ASSEMBLY MASS IS APPROXIMATELY 13.87 GRAMS.

145309-1	145311-1	-	145308-2
145309-1	145311-1	145310-1	145308-1
3 SUPPORT BASE QTY 1	2 SUPPORT PIN QTY 2	1 TOP PLATE QTY 1	PART NUMBER

<small>THIS DRAWING IS A CONTROLLED DOCUMENT FOR AMP INCORPORATED. IT IS SUBJECT TO CHANGE AND THE CONTROLLING ENGINEERING ORGANIZATION SHOULD BE CONTACTED FOR THE LATEST REVISION.</small>		DWN 29MAY97 James P. Scholz	AMP AMP Incorporated Harrisburg, PA 17105-3608	
DIMENSIONS: INCHES	TOLERANCES UNLESS OTHERWISE SPECIFIED: 0 PLC ±- 1 PLC ±- 2 PLC ±- 3 PLC ±- 4 PLC ±- ANGLES ±-	CHK - APVD - PRODUCT SPEC - APPLICATION SPEC - WEIGHT -	NAME KIT HEAT SINK SUPPORT FOR PENTIUM II PROCESSORS	
MATERIAL	FINISH -	SIZE A3 CAGE CODE 00779 DRAWING NO C-145308	RESTRICTED TO -	
CUSTOMER DRAWING		SCALE . . .	SHEET . . .	OF . . .
				REV A